

D-SUB Connector

SPECIFICATIONS

Mechanical

Contact Engagement Force : 0.34 Kgf/ Pin max.
Contact Separation Force : 0.021 Kgf/ Pin min.
Durability : 500 Cycles

Electrical

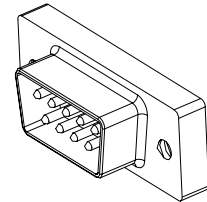
Voltage Rating: 240V
Current Rating: 1A
Contact Resistance: 30 mΩ max.
Dielectric Withstanding Voltage: 500V AC/1 min.
Insulation Resistance: 5000MΩ

Physical

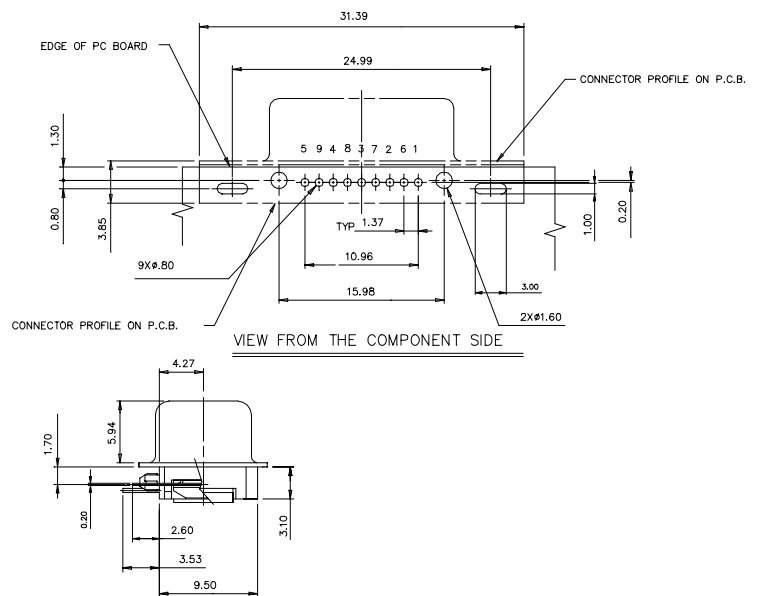
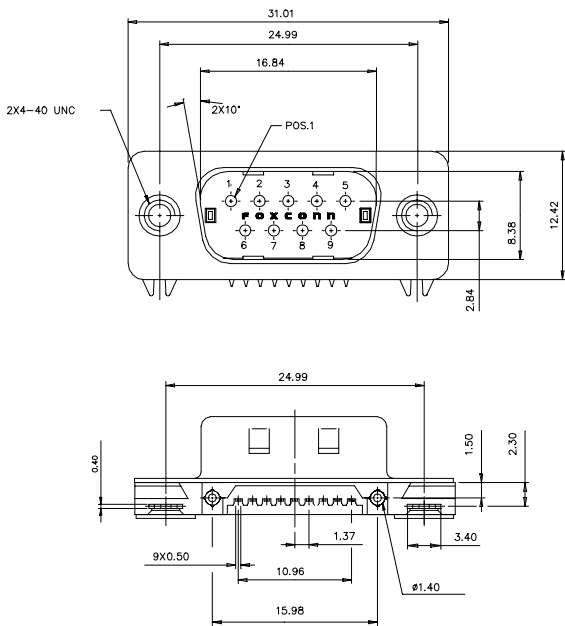
Housing: Thermoplastic, UL 94V-0 rated in Black/PC99 Color
Contact: Copper alloy
Plating: See "ORDERING INFORMATION"
Solder Pad: Copper alloy
Operating Temperature: -55 to +105

DZ Series

Right Angle, T/H, Male Type
9 Pos.
Center Height 4.27 mm
Recommended PCB's Thickness 1.57 mm



DRAWING



ORDERING INFORMATION

PRODUCT NO. : DZ 1 0 1 9 1 -- N * 6 1 1 -- 4 F

- D-SUB Through Hole Series
- Terminator Type
1 = Right Angle
- Contact Design Type
0 = Male
- NO. of Contact Position
1 = 9 POS.
- Body Length
- Lead free code
- Packing Code
4 = Soft tray
- Extension Code
- Plastic color
T = Teal
B = Black
- N = R/A Normal type
- Contact Area Plating
1 = Gold flash

DZ1019*-NT611-*F	TEAL
DZ1019*-NB611-*F	BLACK
P/N	COLOR